

TG/LTG-Series Rocker Switches



The TG-Series Mini Tippet rocker switches are single or double pole and feature an all nylon double-insulated construction. These switches are designed with snap-in mounting for fast, low cost assembly. The illuminated version (LTG) is available with either a paddle or rocker actuator. These AC rated switches are also suitable for low-voltage DC applications in a wide range of markets including Appliance, HVAC, Food service, and Transportation.

Dielectric Strength

UL/CSA:

1000V - live to dead metal parts

Electrical Life

50,000 cycles- maintained

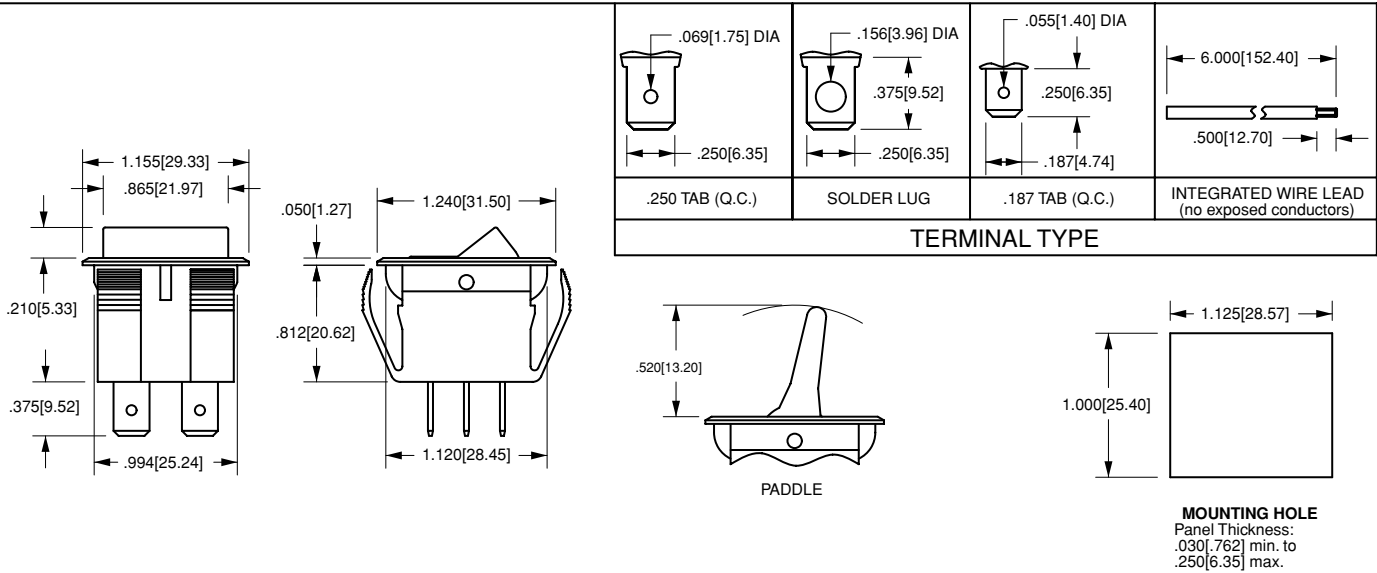
25,000 cycles- momentary

Mechanical Life

100,000 cycles

Operating Temperature

32°F to 150°F (0°C to +65.6°C)



LTG **G** **O** **50** **1** - **T** **B** - **B** - **R** / **125N**

1 Base Part Number 2 Circuit 3 Center Position 4 Rating 5 Termination 6 Actuator Style 7 Actuator Color 8 Base Color 9 Lens Color 10 Lamp Voltage

1 BASE PART NUMBER: SERIES¹				
TG	Double Pole, Non-Lighted			
LTG	Double Pole with Indicator Lights			
2 CIRCUIT				
See Circuit Designation Chart Page 17.				
3 CENTER POSITION				
C	Center OFF, Three position			
O	No Center OFF, Two position			
4 RATING				
40	5A 250VAC, 10A 125VAC, 1/2HP 125-250VAC			
41	5A 250VAC, 10A 125VAC			
50	10A 250VAC, 15A 125VAC, 3/4HP 125-250VAC			
51	10A 250VAC, 15A 125VAC			
5 TERMINATION/FUNCTION				
	<i>solder lug</i>	<i>.250 tab QC</i>	<i>.187 tab QC</i>	<i>wire leads</i>
ON-NONE-OFF	0	1	3	5
(ON)-NONE-OFF	A	B	D	F
ON-NONE-(OFF)	L	M	R	T
ON-NONE-ON	0	1	3	5
ON-NONE-(ON)	A	B	D	F
ON-OFF-ON	0	1	3	5

6 ACTUATOR STYLE					
P	paddle	T	rocker		
7 ACTUATOR COLOR²					
B	black	W	white		
8 BASE COLOR²					
B	black	W	white		
9 LENS COLOR³					
A	amber	C	clear	R	red
10 LAMP VOLTAGE					
<i>incandescent</i>					
6V	6 volt		<i>neon</i>		
12V	12 volt		125N 125 volt neon		
18V	18 volt		250N 250 volt neon		
24V	24 volt				
28V	28 volt				

NOTES
Imprinting is available. Consult factory.
Panel Cut-Out Recommendations: For sheet metal panels, switch must enter panel in same direction as the punch. (Burr on bottom.) Test cut hole in actual material.
1 TG available with circuits A, B, C, D, E, F ; LTG available with circuits G, H, I, J, M, N, P, Q, R, T, U, V, Y, Z. See page 17.
2 Custom colors are available. Consult factory.
3 Specify lens color for LTG-Series only.
() Indicates momentary function.